

# Swedish Armed Forces Deployable RN-laboratory



# National CBRN Defence Centre

- Swedish Armed Forces CBRN educational centre
- Localised in Umeå
- Swedish first CBRN company



# Deployable RN-lab

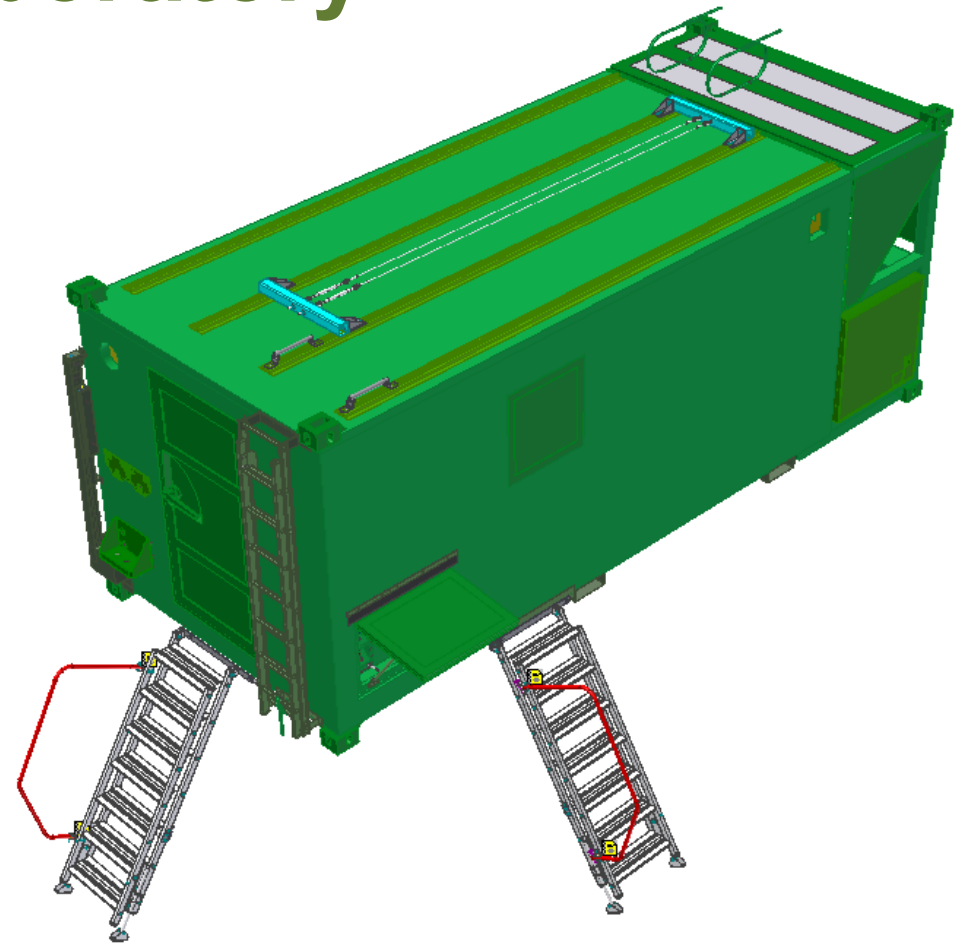
## Part of the First Swedish CBRN Coy

- Swedish Armed Forces national preparedness
- In international operations
- To support civilian authorities/civilian preparedness



# RN-laboratory

- 20 foot container
- Ballistic protection
- Electricity generator
- Air conditioning
- Filtration of air both incoming and outgoing



# Laboratory equipment

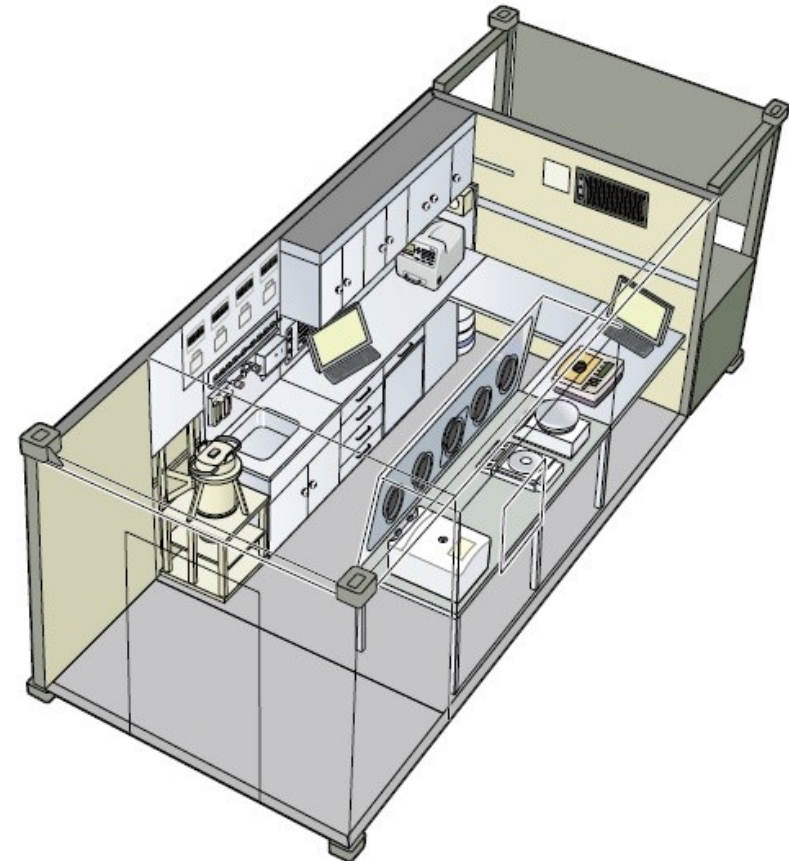
HPGe-detector

NaI-detector

$\alpha/\beta$ -LSC

$\alpha/\beta$ -counter

IdentiFinder ( $\gamma/n$ )





# In pipeline..

- Sr separation, delivered from FOI, not yet in use
- Actinide separation
- Thyroid measurements
- Whole body counting